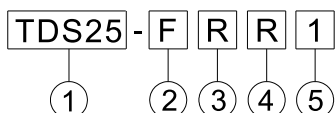




Feature

- These series of switches has 6 types of capacity ranging from 16A to 80A.
- Installation includes fixed way(fixed on the operating panel) and detached way(contact fixed in the control box whereas upper base and handles fixed on the tope cover of the contrlo box)
- Detachable type can be installed on TBR - N (standard aluminium rail-wide rail)
- There are two types of switching handles: standard and round. Standard is colored in red/yellow or black/silver; while round ones in red/yellow or black/gray.

Model designation



Designation	Signal	Description
1.Capacity	TDS16	16A(3P)
	TDS25	25A(3P)
	TDS33	33A(3P)
	TDS40	40A(3P)
	TDS66	66A(3P)
	TDS80	80A(3P)
	TDS416	16A(4P)
	TDS425	25A(4P)
	TDS433	33A(4P)
	TDS440	40A(4P)
	TDS466	66A(4P)
	TDS480	80A(4P)
2.Installation way	F	Fixed way
	B	Detched way
	E	Control staiions
3.Handle	S	Standard handle
	R	Rotundity handle
4.Color	B	Block/silver gray
	R	Red/yellow
5.Transmission rod length (only detached way)	None	100mm
	1	150mm
	2	250mm
	3	300mm

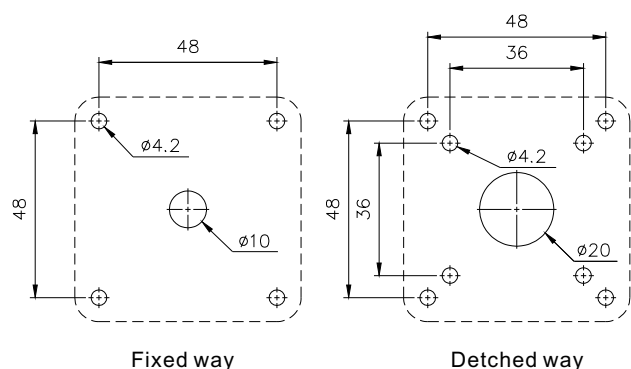
Specifications

Voltage	Type	TDS16 TDS416	TDS25 TDS425	TDS33 TDS433	TDS40 TDS440	TDS66 TDS466	TDS80 TDS480
	AC-3 (kw)	220V~240V	2.2	4.0	5.5	7.5	11.0
380V~440V		3.7	5.5	7.5	11.0	18.5	22.0
660V~690V		3.7	5.5	7.5	15.0	22.0	30.0
AC-23 (kw)	220V~240V	3.0	5.5	5.5	7.5	11.0	18.5
	380V~440V	5.5	7.5	11.5	15.0	22.0	30.0
	600V~690V	5.5	7.5	11.5	18.5	30.0	37.0
AC-21		16A	25A	33A	40A	66A	80A

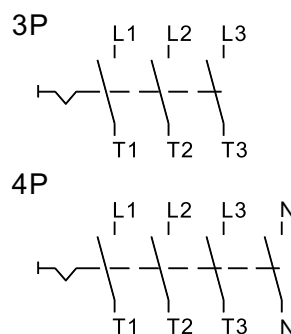
Voltage	Type	TDS16 TDS416	TDS25 TDS425	TDS33 TDS433	TDS40 TDS440	TDS66 TDS466	TDS80 TDS480
	AC-3 (hp)	110V~120V	1	1.5	2	3	5
220V~240V		2	3	5	7.5	10	20
380V~440V		3	5	10	15	20	40
500V~600V		3	5	10	15	20	50

3 phase.3 poles

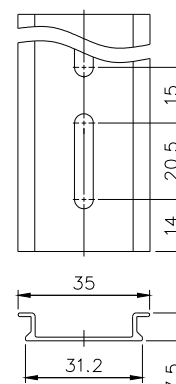
Plate dimensions



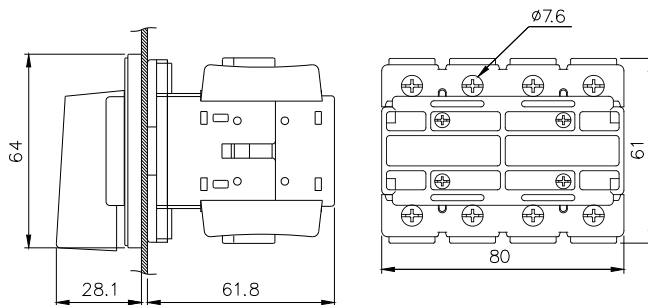
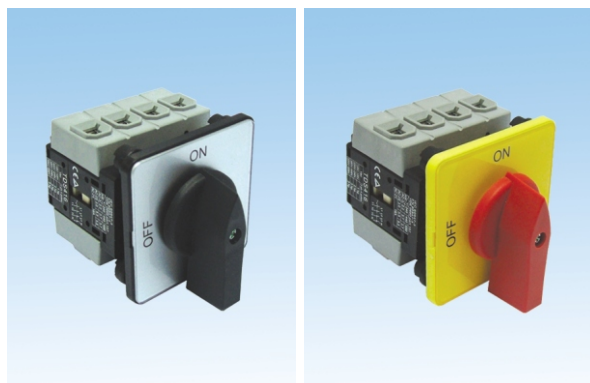
Wiring diagram



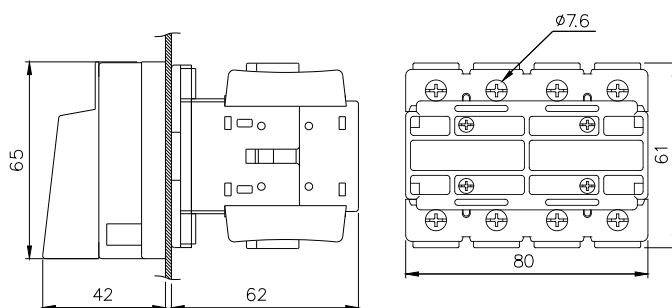
TBR-N(Dimenditions) (用於分離式)



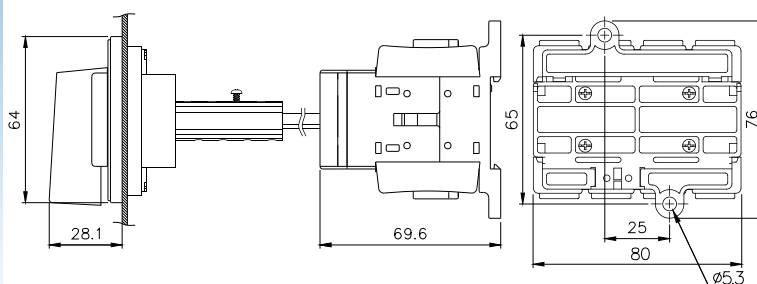
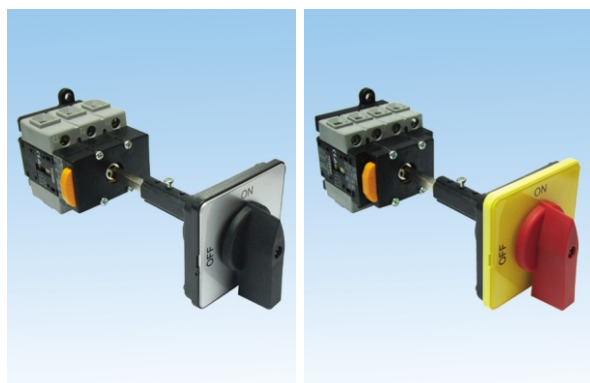
TDS440/466/480-FSB TDS440/466/480-FSR



TDS440/466/480-FRB TDS440/466/480-FRR



TDS440/466/480-BSB TDS440/466/480-BSR



TDS440/466/480-BRB TDS440/466/480-BRR

